

R-T

Desk Table Fiber Laser Marking Machine R-T

[Inquiry](#)



Desk Table Fiber Laser Marking Machine R-T

Online

- ③ The laser head can leave the body to move autonomously, and the focus can be marked by manual adjustment.
- ④ Unique air cooling system, do not need water cooling machine, reduce energy consumption

Technical Parameters

Model

Working Area

Laser Power

Marking line speed

Minimum Line Width

Minimum Character

Working voltage

Repeatability Accuracy

R-T

100*100mm / 200*200mm/300*300mm

20w/30w/50w/100w

≤7000mm/s

0.02mm

0.15mm*0.15mm

220V/50HZ, 110V/60HZ

±0.01mm

Above data is only for reference



Online

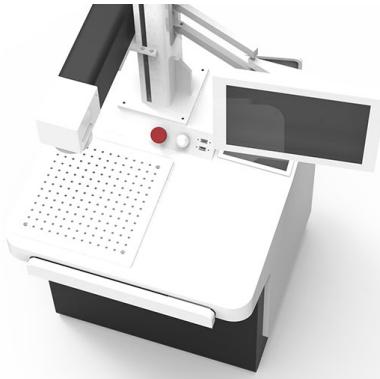


Small volume, easy to carry.
No consumables, more flexible use.



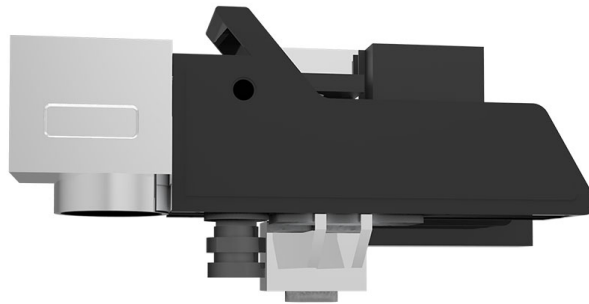
Small body, big energy

Fastener design beautiful, durable.
Cooperate with high-speed galvanometer, faster.



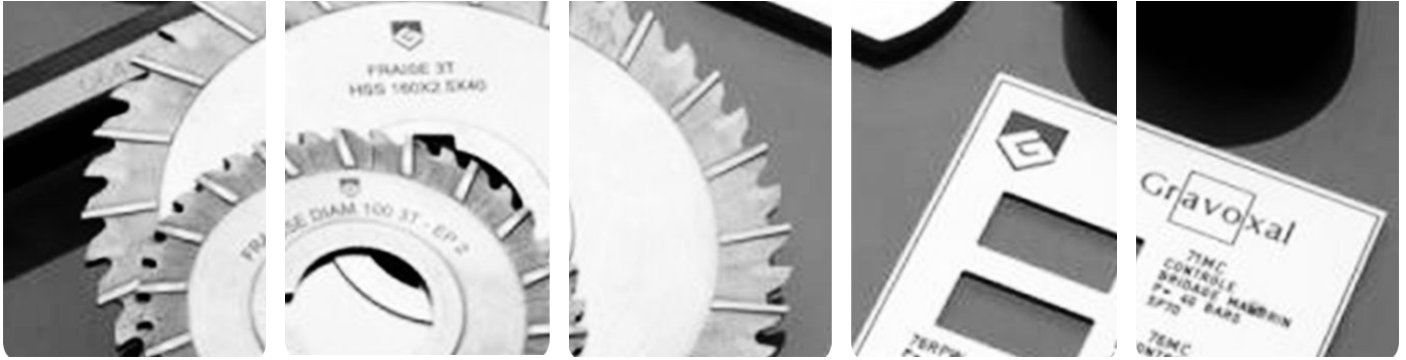
Open work platform.

Equipped with open working platform, suitable for all kinds of materials and forms of marking work.



adjustable laser

Laser can according to need to adjust, the focus can be marked by manual adjustment.



Application

OREE -- R-T metal laser marking machine can process most metal materials.
Mainly used in electronic components,
hardware products, tools accessories, integrated circuits (IC),
electrical appliances, mobile phone communication,
precision instruments and other industries.

PROVIDE THE BEST CUSTOMER EXPERIENCE.

- **Onekey** : smart tag.
- **Automatic door**
automatic marking machine closes the door before turning on the machine, and the automatic door is finished before marking;
- **Protection of European standards+4**
- **Flexible text**

Online



- **IO operation**

more convenient IO operation, easier to coordinate auxiliary equipment;

- **Open language support system**

making it easier to run software on various language platforms.

- **Scanning galvanometer**

SCANLAB, Germany.

- **Laser protective glass**

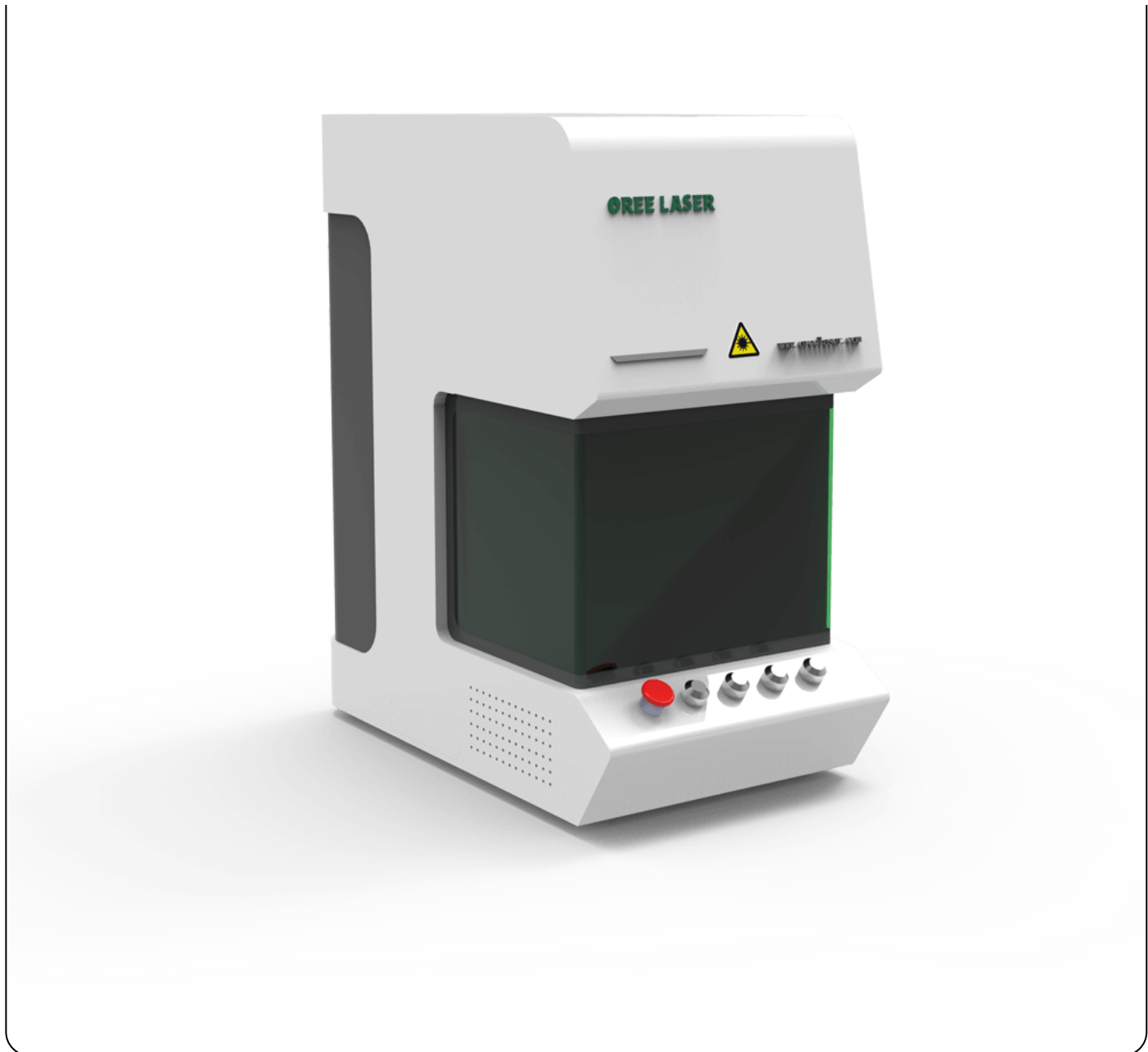
Protect eyes, radiation and dust.

- **LED light**

high energy efficiency and long life.

Simple and quick installation

USB with any computer, installation.



PROTECTIVE LASER FIBER MARKING MACHINE R-P

Online 



HANDHOLD LASER FIBER MARKING MACHINE R-H

Online ^



DESKTABLE LASER FIBER MARKING MACHINE R-T

Name

Country

*Phone

*Email

Content

Online





PRODUCTS



COMPANY



VIDEO



CONTACT US

☎ TEL : +86-531-88983665

📍 ADD : NO.19-1, Jiyang Street Industry Park, Jinan, China

✉ E-MAIL : sales@oreelaser.com

service@oreelaser.com

العربية Русский Español Português 日本語 한국어 简体中文 繁体中文

Online

